

# Rittal – The System.

Faster – better – everywhere.

## Digital Brochure

ENCLOSURES

POWER DISTRIBUTION

CLIMATE CONTROL

IT INFRASTRUCTURE

SOFTWARE & SERVICES



# Rittal – The System.

Faster – better – everywhere.



# System Accessories

## Base/Plinth

|                                     |     |
|-------------------------------------|-----|
| Flex-Block Base/Plinth System ..... | 424 |
| TS Base/Plinth .....                | 426 |
| Base/Plinth .....                   | 433 |

## Base

|            |     |
|------------|-----|
| Base ..... | 435 |
|------------|-----|

## Walls

|                        |     |
|------------------------|-----|
| Sidewalls .....        | 450 |
| Partition Walls .....  | 453 |
| Interconnect Kit ..... | 458 |

## Baying Systems

|              |     |
|--------------|-----|
| Baying ..... | 460 |
|--------------|-----|

## Doors/Locks

|   |     |
|---|-----|
| Door Models .....                                       | 467 |
| Expansion Accessories for TS Modular Front Design ..... | 469 |
| Viewing Windows/Operating Panels .....                  | 473 |
| Lock Systems .....                                      | 478 |
| Hinges .....  | 492 |
| Door, External/Internal .....                           | 493 |

## Roof/Wall Mounting

|                     |     |
|---------------------|-----|
| Roof .....          | 499 |
| Wall Mounting ..... | 503 |

## Interior Fittings

|   |     |
|---|-----|
| Mounting Plates .....                                   | 507 |
| Rail Systems .....                                      | 514 |
| Assembly Components .....                               | 533 |
| Component Shelves .....                                 | 540 |
| System Lights .....                                     | 545 |
| EMC .....   | 551 |
| Interior Fittings for Areas at Risk of Earthquake ..... | 554 |
| Grounding .....   | 555 |

## Cable Routing

|                         |     |
|-------------------------|-----|
| Cable Entry .....       | 561 |
| Flange Plates .....     | 564 |
| Cable Gland .....       | 568 |
| Cable Gland .....       | 569 |
| Cable Management .....  | 572 |
| Cable Routing 19" ..... | 582 |

## 19" Installation System

|                                 |     |
|---------------------------------|-----|
| Pivoting Frame .....            | 587 |
| Accessories for Data Rack ..... | 591 |
| Profile Rails .....             | 592 |
| Slide Rails .....               | 596 |
| 19" Fittings .....              | 598 |
| Patch Panels .....              | 603 |
| Splicing Boxes .....            | 604 |

## Human/Machine Interface

|                                       |     |
|---------------------------------------|-----|
| Handles .....                         | 605 |
| External Mounting Accessories .....   | 607 |
| Front Fittings .....                  | 608 |
| Keyboards, Supports and Drawers ..... | 610 |
| Interfaces .....                      | 617 |
| Signal Pillars .....                  | 619 |

## Technical Information

|   |     |
|---|-----|
| RittalXpress .....                            | 622 |
| CE/Grounding/HD/Model Numbers .....           | 623 |
| Protection Categories .....                   | 624 |
| NEMA .....                                    | 625 |
| Approvals/Equipment Grounding Conductor ..... | 627 |
| Coating/Spray Finish .....                    | 628 |



# 19" installation system

## Pivoting frame

### Pivoting frame, small

Installation for TS, SE, 600 mm and 800 mm wide enclosures

To mount 19" (482.6 mm) equipment.

**Material:**

– Carbon steel

**Surface finish:**

– Zinc-plated

**Supply includes:**

– Cam with double-bit lock insert and parts for attaching to the installation kit

**Technical details:**

Available on the Internet



| Expansion | Front, top/bottom | Set back, top/bottom | Set back/ front, center |
|-----------|-------------------|----------------------|-------------------------|
|           |                   |                      |                         |
| U         | Packs of          | <b>Model No.</b>     |                         |
| 3         | 1 pc(s).          | <b>2377.030</b>      |                         |
| 6         | 1 pc(s).          | <b>2377.060</b>      |                         |
| 9         | 1 pc(s).          | <b>2377.090</b>      |                         |
| 12        | 1 pc(s).          | <b>2377.120</b>      |                         |
| 15        | 1 pc(s).          | <b>2377.150</b>      |                         |
| 18        | 1 pc(s).          | <b>2377.180</b>      |                         |

**Also required:**

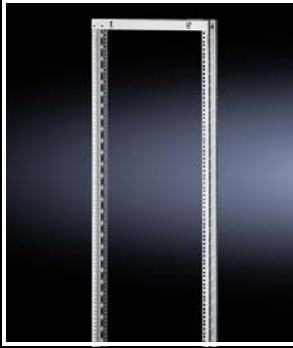
|                    |  | For enclosure width, inches (mm)                               |                 |                 |          |          |
|--------------------|--|--|-----------------|-----------------|----------|----------|
| 1                  | Installation kit   | 1 set(s)   | 24 (600)        | 32 (800)        |          |          |
|                    |  |  | <b>2377.860</b> | <b>2377.880</b> |          |          |
| 2                  | PS punched section without mounting flange, 2 or 4 pcs. required | for enclosure depth inches (mm)                                | 16 (400)        | 4 pc(s).        | 4374.000 | Page 527 |
|                    |  |  | 20 (500)        | 4 pc(s).        | 4375.000 | 527      |
|                    |  |  | 24 (600)        | 4 pc(s).        | 4376.000 | 527      |
|                    |  |  | 32 (800)        | 4 pc(s).        | 4377.000 | 527      |
|                    | Support bracket  | 2 pcs. required per PS punched section without mounting flange | 6 set(s)        | 8800.330        | 535      |          |
| <b>Accessories</b> |  |  |                 |                 |          |          |
|                    | Lock inserts, version D  |  |                 | 2484.000        | 488      |          |

**Note:**

– The swing frame stay is required to lock the open swing frame, see page 590

# 19" installation system

## Pivoting frame



### Pivoting frame, large without trim panel, for 600 mm and 1200 mm wide enclosures

To mount 19" (482.6 mm) equipment.

#### Material:

– Carbon steel

#### Surface finish:

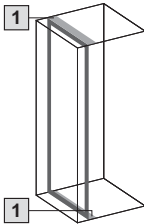
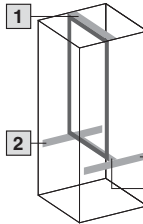
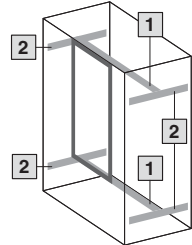
– Zinc-plated

#### Supply includes:

– Cam with double-bit lock insert and parts for attaching to the installation kit

#### Technical details:

Available on the Internet

| Expansion | Full installation,<br>front/set back   | Partial installation top,<br>front/set back   | Partial installation<br>center, front/set back                                      |
|-----------|--|---|---|
|           |  |  |  |

| For enclosure width, inches (mm) |   |          | 24 (600)         | 47 (1200) |
|----------------------------------|---|----------|------------------|-----------|
| U                                | For min. enclosure<br>height, inches (mm) | Packs of | <b>Model No.</b> |           |
| 22                               | 47 (1200)                                 | 1 pc(s). | <b>2322.700</b>  |           |
| 31                               | 63 (1600)                                 | 1 pc(s). | <b>2331.700</b>  |           |
| 36                               | 71 (1800)                                 | 1 pc(s). | <b>2336.700</b>  |           |
| 40                               | 79 (2000)                                 | 1 pc(s). | <b>2340.700</b>  |           |
| 45                               | 87 (2200)                                 | 1 pc(s). | <b>2345.700</b>  |           |

| <b>Accessories</b>      |          |  | Page |
|-------------------------|----------|--|------|
| Lock inserts, version D | 2484.000 |  | 488  |

#### Also required:

| 1) Installation kits |    |       |                        |                  |                 |          |
|----------------------|----|-------|------------------------|------------------|-----------------|----------|
| For enclosure        |    | Hinge | Load                   | <b>Model No.</b> |                 | Packs of |
| TS                   | SE |       |                        |                  |                 |          |
| ■                    | ■  | 130°  | < 1500 N <sup>2)</sup> | <b>1994.835</b>  | –               | 1 set(s) |
| ■                    | ■  | 130°  | < 1500 N <sup>2)</sup> | –                | <b>1996.835</b> | 1 set(s) |
| ■                    | ■  | 130°  | < 1500 N <sup>1)</sup> | –                | <b>1996.535</b> | 1 set(s) |

<sup>1)</sup> Installation only possible with the mounting plate slide rail dismantled.  
<sup>2)</sup> Maximum load 800 N with the TS mounting plate slide rail dismantled.

2) For TS, SE:  
 TS system chassis 23 x 73 mm, 2 or 4 pcs. required

| Installation<br>in enclosure depth<br>inches (mm) | Packs<br>of | <b>Model No.</b>       | Page |
|---|-------------|------------------------|------|
| 16 (400)  | 4 pc(s).    | 8612.040 <sup>1)</sup> | 522  |
| 20 (500)  | 4 pc(s).    | 8612.550               | 523  |
| 24 (600)  | 4 pc(s).    | 8612.560               | 523  |
| 32 (800)  | 4 pc(s).    | 8612.580               | 523  |
| 39 (1000)   | 4 pc(s).    | 8612.500               | 523  |
| 47 (1200)   | 4 pc(s).    | 8612.520               | 523  |

<sup>1)</sup> TS system chassis 17 x 73 mm

#### Note:

– The swing frame stay is required to lock the open swing frame, see page 590

# 19" installation system

## Pivoting frame

### Pivoting frame, large

with trim panel, for 800 mm wide enclosures  
To mount 19" (482.6 mm) equipment.

**Material:**

– Carbon steel

**Surface finish:**

– Frame: Zinc-plated  
– Panel: Spray-finished

**Color:**

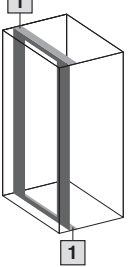
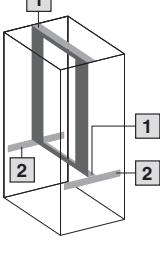
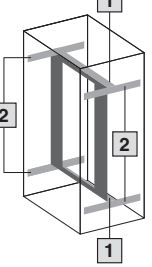
– RAL 7035


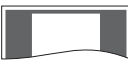
**Supply includes:**

– Including locking rod system with double-bit lock insert and parts for attaching to the installation kit

**Technical details:**

Available on the Internet

| Expansion | Full installation,<br>Width = 32" (800 mm),<br>front/set back                     | Partial installation top,<br>Width = 32" (800 mm),<br>front/set back              | Partial installation<br>center (in the height),<br>Width = 32" (800 mm),<br>front/set back |
|-----------|---|---|--|
|           |  |  |          |

| Installation location | Side  | Center   |
|-----------------------|---|--|
|                       |  |  |

|            |           |      |
|------------|-----------|------|
| With hinge | 130°/180° | 180° |
|------------|-----------|------|

|                                  |  |          |  |
|----------------------------------|--|----------|--|
| For enclosure width, inches (mm) |  | 32 (800) |  |
|----------------------------------|--|----------|--|

| U  | For min. enclosure height<br>inches (mm) | Packs of | Model No.       |                 |
|----|--|----------|-----------------|-----------------|
| 22 | 47 (1200)                                | 1 pc(s). | <b>2323.235</b> | <b>2324.235</b> |
| 31 | 63 (1600)                                | 1 pc(s). | <b>2332.235</b> | –               |
| 36 | 71 (1800)                                | 1 pc(s). | <b>2337.235</b> | <b>2338.235</b> |
| 40 | 79 (2000)                                | 1 pc(s). | <b>2341.235</b> | <b>2342.235</b> |
| 45 | 87 (2200)                                | 1 pc(s). | <b>2346.235</b> | <b>2347.235</b> |

Heavy-duty version<sup>1)</sup>

| U  | For enclosure height<br>inches (mm) | Packs of | Model No.       |   |
|----|-------------------------------------|----------|-----------------|---|
| 40 | 79 (2000)                           | 1 pc(s). | <b>7858.100</b> | – |

**Accessories**

|                         |              |
|-------------------------|--------------|
| Ergoform-S Lock Systems | see page 486 |
| Lock inserts, version A | see page 488 |

**Also required:**

| For enclosure |    | Hinge | Load                   | Model No.       | Packs of |
|---------------|----|-------|------------------------|-----------------|----------|
| TS            | SE |       |                        |                 |          |
| ■             | ■  | 130°  | < 1500 N <sup>3)</sup> | <b>1995.235</b> | 1 set(s) |
| ■             | ■  |       | < 1500 N <sup>2)</sup> | <b>1995.835</b> | 1 set(s) |
| ■             | ■  | 180°  | < 1200 N <sup>3)</sup> | <b>1997.235</b> | 1 set(s) |
| ■             | ■  |       | < 1200 N <sup>2)</sup> | <b>1997.835</b> | 1 set(s) |

<sup>1)</sup> Load capacity 771.6 lb (350 kg), including installation kit, for enclosure height 79" (2000 mm)

<sup>2)</sup> Installation only possible with the mounting plate slide rail dismantled.

<sup>3)</sup> Maximum load 800 N with the TS mounting plate slide rail dismantled.

**2)** For TS, SE: TS system chassis 23 x 73 mm,  
2 or 4 pcs. required

| Installation in<br>enclosure width/depth<br>inches (mm) | Packs<br>of | Model No.              | Page |
|---|-------------|------------------------|------|
| 16 (400)  | 4 pc(s).    | 8612.140 <sup>1)</sup> | 522  |
| 20 (500)  | 4 pc(s).    | 8612.550               | 523  |
| 24 (600)  | 4 pc(s).    | 8612.560               | 523  |
| 32 (800)  | 4 pc(s).    | 8612.580               | 523  |
| 39 (1000)   | 4 pc(s).    | 8612.500               | 523  |
| 47 (1200)   | 4 pc(s).    | 8612.520               | 523  |

<sup>1)</sup> TS system chassis 17 x 73 mm

**Note:**

– The swing frame stay is required to lock the open swing frame, see page 590



# 19" installation system

## Pivoting frame



### Compact pivoting frame

#### for AE

To install slide-in electronic equipment, 19" (482.6 mm), across the entire height.

#### Technical description:

- Torsionally stiff frame, welded from rectangular tube and triple-folded support section

#### Material:

- Carbon steel

#### Color:

- RAL 7035

#### Supply includes:

- Double-bit lock insert and installation accessories

|                    |                 |                 |                 |
|--------------------|-----------------|-----------------|-----------------|
| Height inches (mm) | 15 (380)        | 24 (600)        | 30 (760)        |
| Width inches (mm)  | 24 (600)        | 24 (600)        | 24/30 (600/760) |
| U                  | 6               | 11              | 14              |
| Packs of           | 1 pc(s).        | 1 pc(s).        | 1 pc(s).        |
| <b>Model No.</b>   | <b>2026.200</b> | <b>2027.200</b> | <b>2034.200</b> |



#### Accessories:

- Lock insert 41 mm, version C, see page 488

#### Technical details:

Available on the Internet



### Swing frame stay

Holds the swing frame in the open position.

For mounting on swing frame, large:

- 1979.200, at the top of the enclosure
- 1980.200, at the top of the enclosure (with safety catch at 160°)

|                 | Packs of | Model No.       |
|-----------------|----------|-----------------|
| with 130° hinge | 5 pc(s). | <b>1979.200</b> |
| with 180° hinge | 1 pc(s). | <b>1980.200</b> |



For mounting on swing frame, small:

- 1979.200, can be mounted at top or bottom on the installation kit



### Slide rails

To support heavy slide-in electronic equipment, 19" (482.6 mm) in the swing frame.

#### Material:

- Carbon steel

#### Surface finish:

- Zinc-plated

| For slide-in equipment with max. installation depth | Packs of  | Model No.       |
|---|-----------|-----------------|
| D max. < 8" (190 mm)                                | 10 pc(s). | <b>1962.200</b> |
| D max. > 8" (190 mm)                                | 10 pc(s). | <b>1963.200</b> |